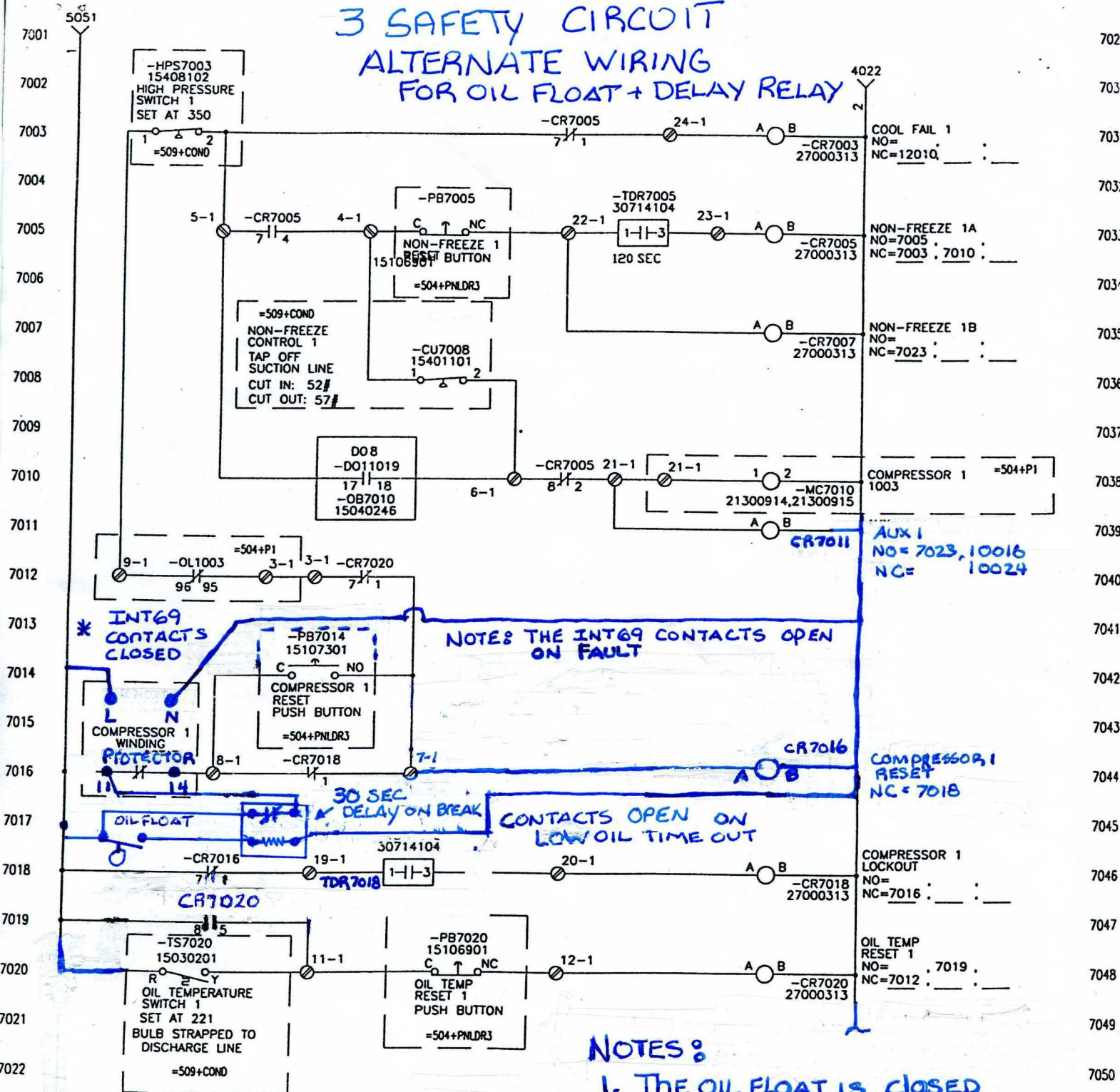


# 3 SAFETY CIRCUIT ALTERNATE WIRING FOR OIL FLOAT + DELAY RELAY



NOTES THE INT69 CONTACTS OPEN ON FAULT

CONTACTS OPEN ON LOW OIL TIME OUT

### NOTES:

1. THE OIL FLOAT IS CLOSED WITH SAFE OIL LEVEL
2. THE LOW OIL TIME DELAY RELAY MUST BE WIRED TO OPEN ITS CONTACTS ON LOW OIL TRIP OUT.