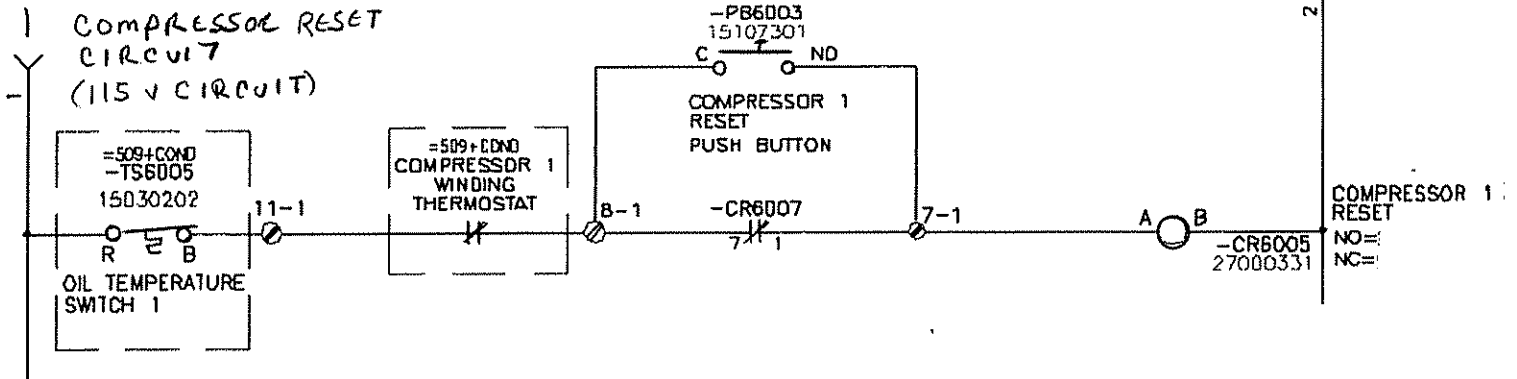
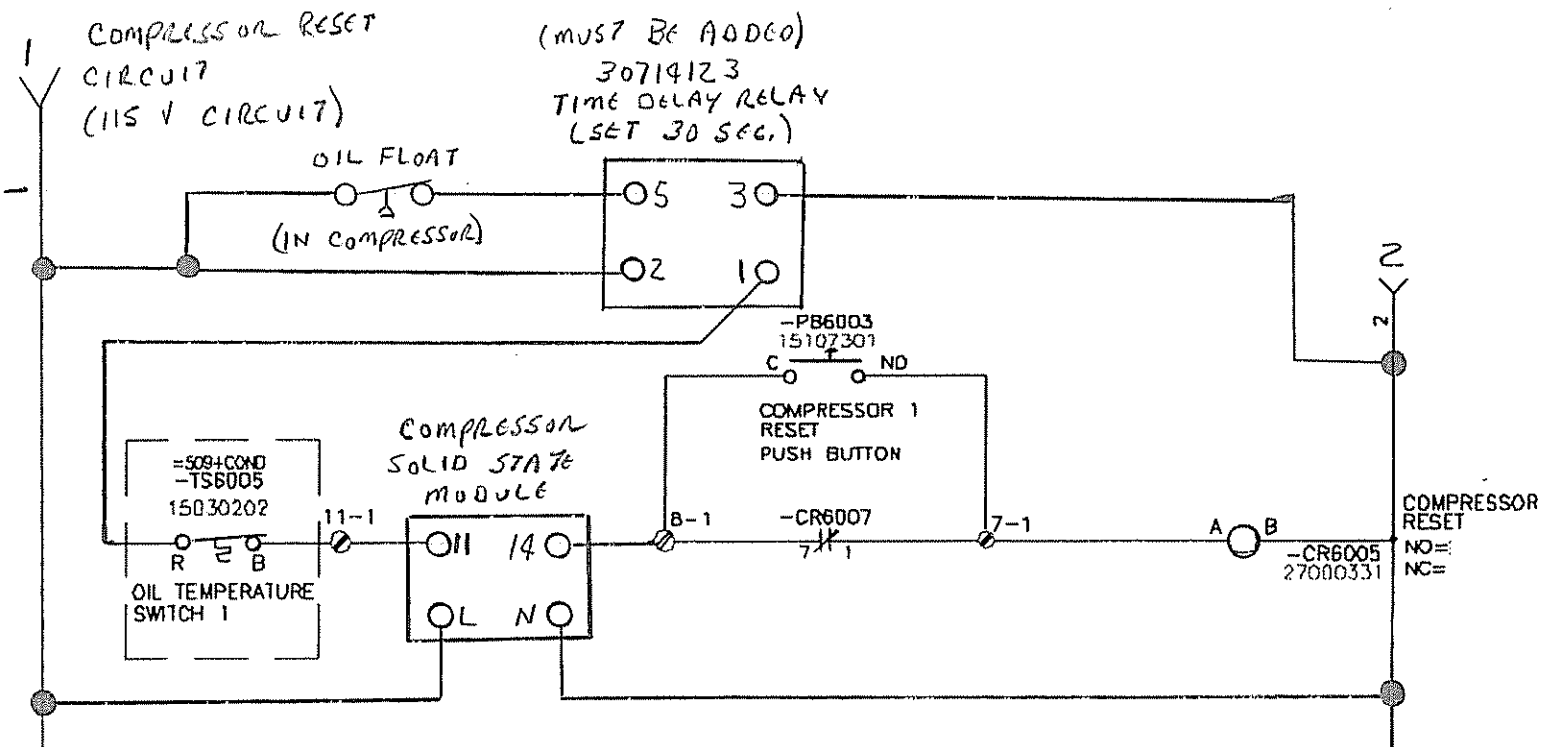


IF ORIGINAL COMPRESSOR DID NOT HAVE A
 COMPRESSOR SOLID STATE MODULE - MUST REWIRE
 THE COMPRESSOR RESET CIRCUIT (115V CIRCUIT)
 (ORIGINAL CIRCUIT)

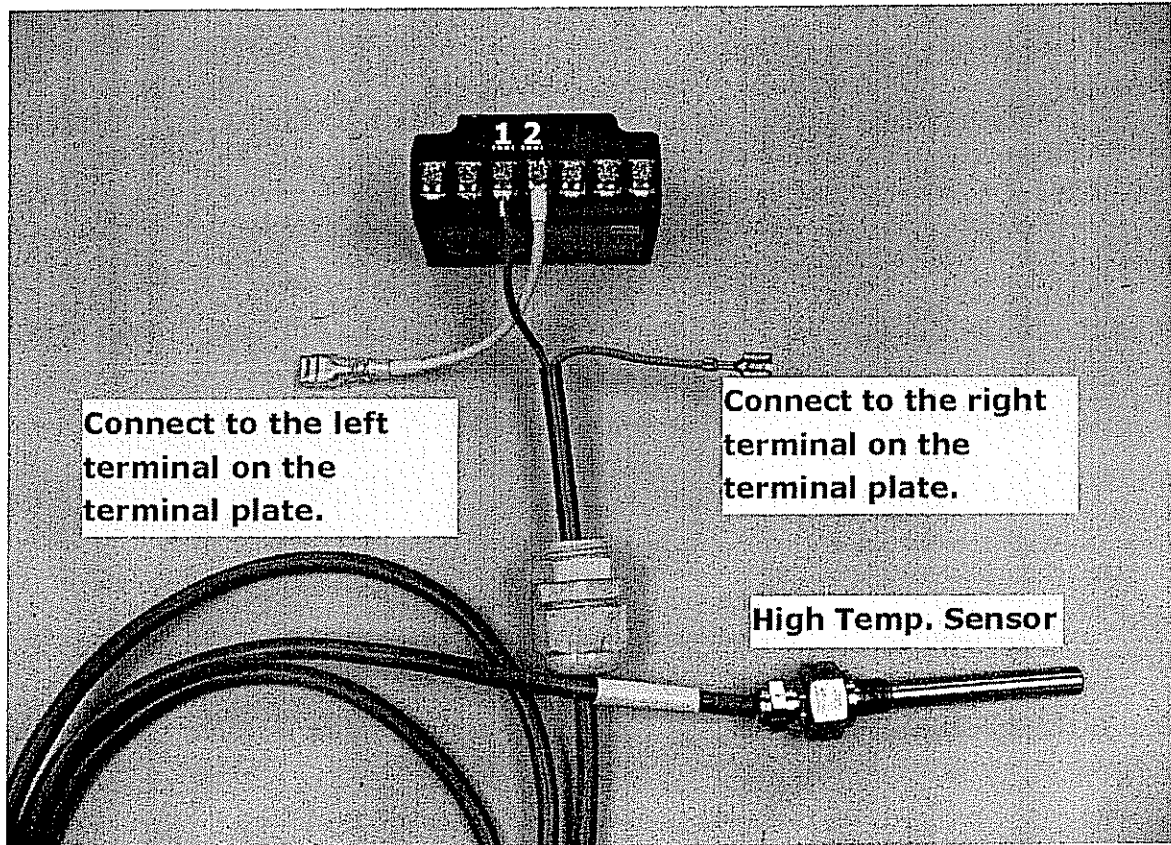
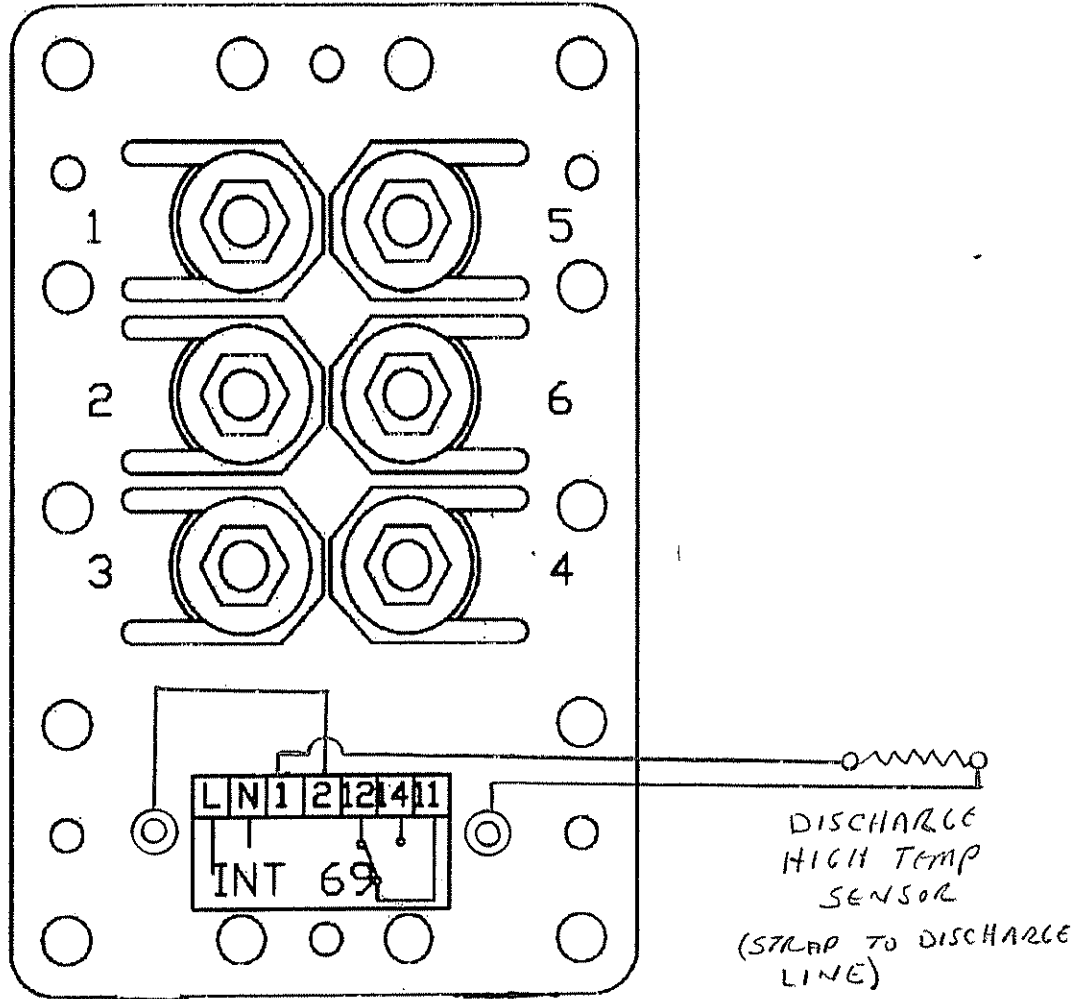


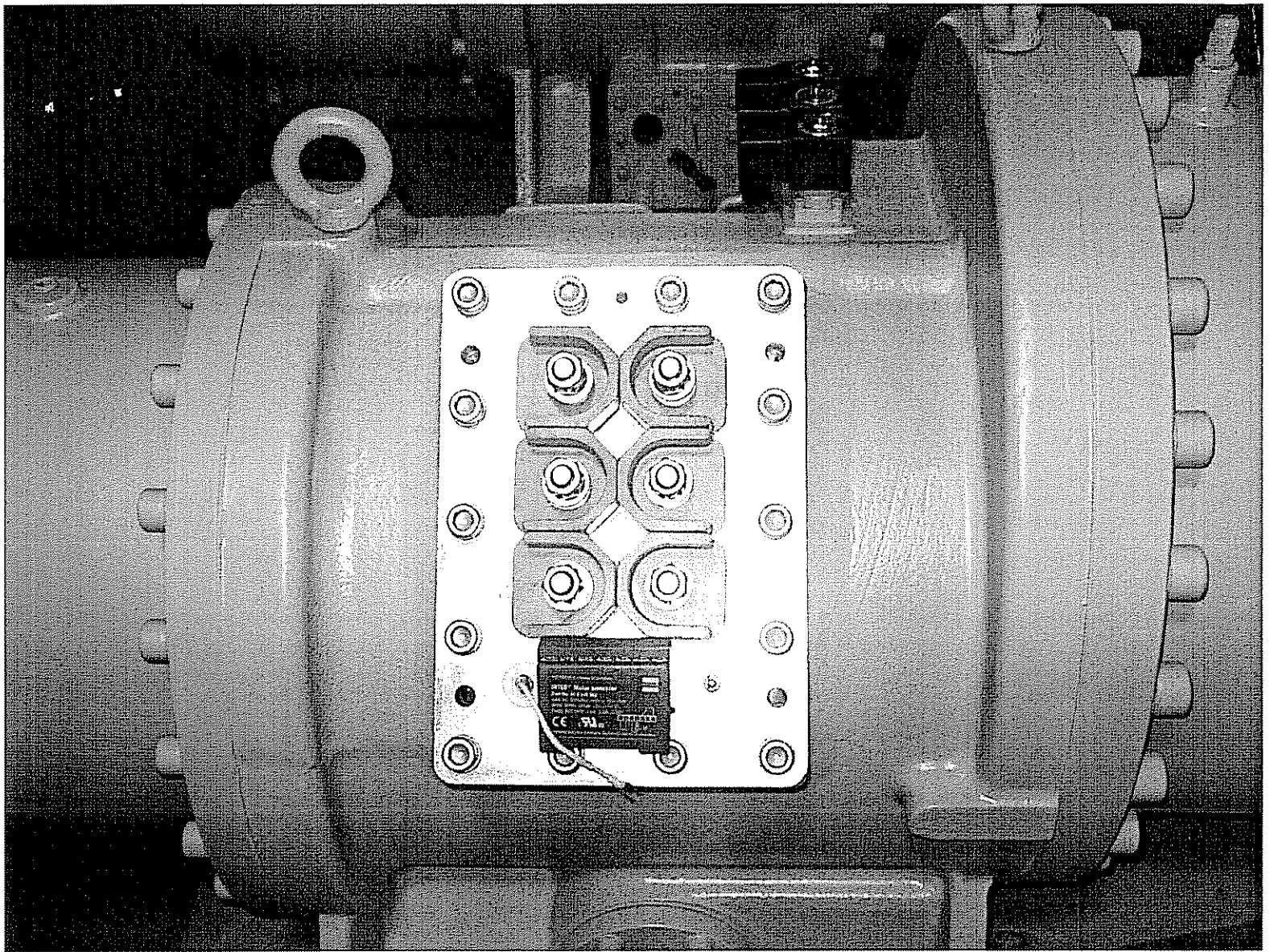
REVISED COMPRESSOR RESET CIRCUIT (COMPRESSOR WITH
 SOLID STATE COMPRESSOR MODULE)



A - OIL FLOAT TERMINALS LOCATED ON BACK SIDE OF
 COMPRESSOR ON OIL SUMP COVER

B - MUST ADD TIME DELAY RELAY (30714123) TO UNIT
 CONTROL





INTERNAL WINDING SENSOR

TEMP SENSOR TYPE

RESISTANCE (WITHOUT SOLID STATE COMP. MODULE) = 0.5Ω

SOLID STATE COMP. MODULE

RESISTANCE (WITH SOLID STATE COMP. MODULE) = 260Ω