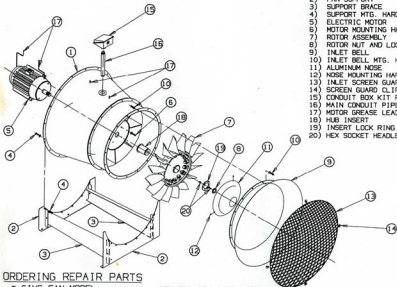


J002B

COMPAX ADJUSTABLE PITCH FANITEM NUMBERS

- 1) CASING ASSEMBLY
- 2) FAN SUPPORT
- 3) SUPPORT BRACE
- 4) SUPPORT MTG. HARDWARE
- 5) ELECTRIC MOTOR
- 6) MOTOR MOUNTING HARDWARE
- 7) ROTOR ASSEMBLY
- 8) ROTOR NUT AND LOCKWASHER
- 9) INLET BELL
- 10) INLET BELL MTG. HARDWARE
- 11) ALUMINUM NOSE
- 12) NOSE MOUNTING HARDWARE
- 13) INLET SCREEN GUARD
- 14) SCREEN GUARD CLIP
- 15) CONDUIT BOX KIT PARTS
- 16) MAIN CONDUIT PIPE
- 17) MOTOR GREASE LEADS
- 18) HUB INSERT
- 19) INSERT LOCK RING
- 20) HEX SOCKET HEADLESS SET SCREW

ORDERING REPAIR PARTS

- GIVE FAN MODEL
- GIVE FAN SERIAL NUMBER
- GIVE FAN ITEM NUMBER

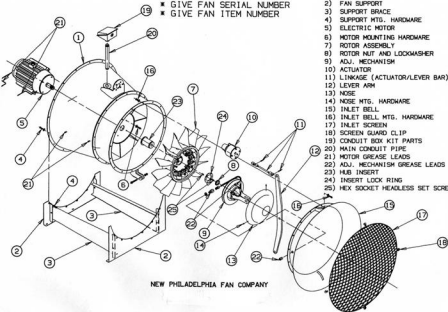
NEW PHILADELPHIA FAN COMPANY

COMPAX CONTROLLABLE PITCH FAN WITH EXTERNAL ACTUATORORDERING REPAIR PARTS

- GIVE FAN MODEL
- GIVE FAN SERIAL NUMBER
- GIVE FAN ITEM NUMBER

ITEM NUMBERS

- 1) CASING ASSEMBLY
- 2) FAN SUPPORT
- 3) SUPPORT BRACE
- 4) SUPPORT MTG. HARDWARE
- 5) ELECTRIC MOTOR
- 6) MOTOR MOUNTING HARDWARE
- 7) ROTOR ASSEMBLY
- 8) ROTOR NUT AND LOCKWASHER
- 9) ADJ. MECHANISM
- 10) ACTUATOR
- 11) LINKAGE (ACTUATOR/LEVER BAR)
- 12) LEVER ARM
- 13) NOSE
- 14) NOSE MTG. HARDWARE
- 15) INLET BELL
- 16) INLET BELL MTG. HARDWARE
- 17) INLET SCREEN
- 18) SCREEN GUARD CLIP
- 19) CONDUIT BOX KIT PARTS
- 20) MAIN CONDUIT PIPE
- 21) MOTOR GREASE LEADS
- 22) ADJ. MECHANISM GREASE LEADS
- 23) HUB INSERT
- 24) INSERT LOCK RING
- 25) HEX SOCKET HEADLESS SET SCREW



NEW PHILADELPHIA FAN COMPANY